

1424050-1 ✓ ACTIVE

AMP

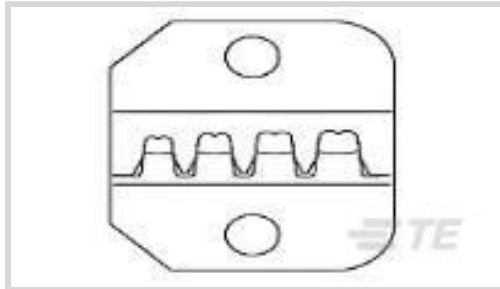
TE Internal #: 1424050-1

Hand Crimping Tools, Premium Crimp Tooling, Removable / Interchangeable, TE Product Specification (114-), Manual / Battery / Electric

[View on TE.com >](#)



Application Tooling > Hand Crimping Tools



Tool Grade: **Premium Crimp Tooling**

Die Sets Type: **Removable/Interchangeable**

Specification Type: **TE Product Specification (114-)**

TE Certification: **Upon Request for Fee**

Power Technology Type: **Battery, Electric, Manual, Pneumatic**

Features

Other

Crimp Form-Wire Barrel Type	Closed Barrel - COAX
Tool Grade	Premium Crimp Tooling
Die Sets Type	Removable/Interchangeable
Specification Type	TE Product Specification (114-)
TE Certification	Upon Request for Fee
Power Technology Type	Battery, Electric, Manual, Pneumatic
Tooling Type	Standard Die Envelope (SDE) Die Set

Product Compliance

[For compliance documentation, visit the product page on TE.com>](#)

EU RoHS Directive 2011/65/EU	Out of Scope
EU ELV Directive 2000/53/EC	Out of Scope
China RoHS 2 Directive MIIT Order No 32, 2016	Not reviewed for China RoHS compliance
EU REACH Regulation (EC) No. 1907/2006	Current ECHA Candidate List: JUNE 2022 (224) Candidate List Declared Against: JAN 2021 (211) Does not contain REACH SVHC
Halogen Content	Low Halogen - Br, Cl, F, I < 900 ppm per homogenous material. Also BFR/CFR/PVC Free

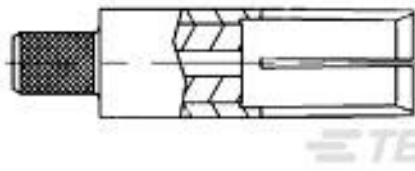


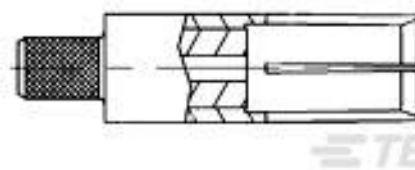



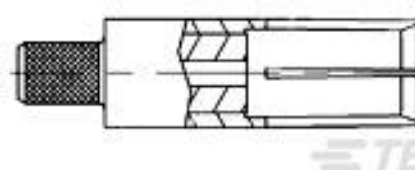

Solder Process Capability

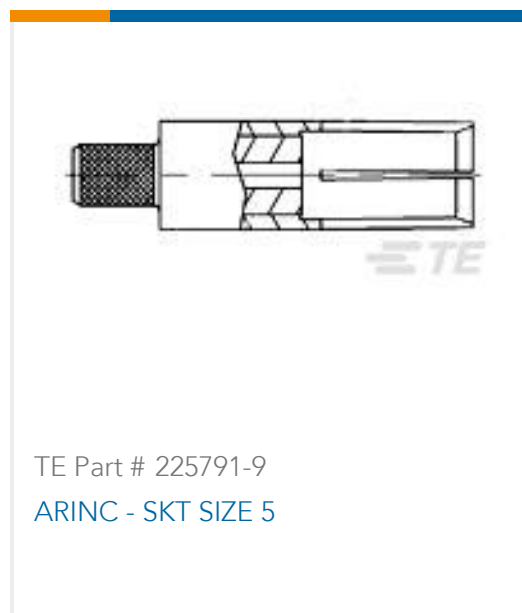
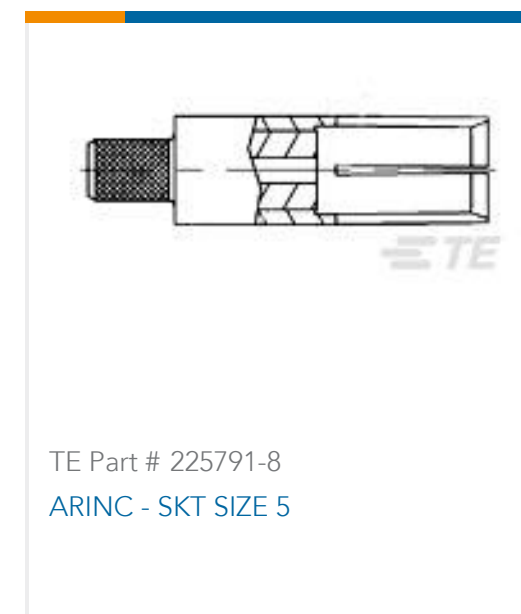
Not applicable for solder process capability

Product Compliance Disclaimer

This information is provided based on reasonable inquiry of our suppliers and represents our current actual knowledge based on the information they provided. This information is subject to change. The part numbers that TE has identified as EU RoHS compliant have a maximum concentration of 0.1% by weight in homogenous materials for lead, hexavalent chromium, mercury, PBB, PBDE, DBP, BBP, DEHP, DIBP, and 0.01% for cadmium, or qualify for an exemption to these limits as defined in the Annexes of Directive 2011/65/EU (RoHS2). Finished electrical and electronic equipment products will be CE marked as required by Directive 2011/65/EU. Components may not be CE marked. Additionally, the part numbers that TE has identified as EU ELV compliant have a maximum concentration of 0.1% by weight in homogenous materials for lead, hexavalent chromium, and mercury, and 0.01% for cadmium, or qualify for an exemption to these limits as defined in the Annexes of Directive 2000/53/EC (ELV). Regarding the REACH Regulation, the information TE provides on SVHC in articles for this part number is based on the latest European Chemicals Agency (ECHA) 'Guidance on requirements for substances in articles' posted at this URL: <https://echa.europa.eu/guidance-documents/guidance-on-reach>

Compatible Parts

 <p>TE Part # 225791-2 COAXIAL RF SOCKET, SZ 5</p>	 <p>TE Part # 225791-3 ARINC COAXICON SOCKET SIZE 5</p>	 <p>TE Part # 1-5227079-6 COMM BNC PLUG</p>	 <p>TE Part # 8-331350-0 BNC PLUG PTFE</p>
 <p>TE Part # 5228979-7 JACK,COML,SERIES BNC,GOLD PL</p>	 <p>TE Part # 225791-4 ARINC SIZE 5 SOCKET</p>	 <p>TE Part # 5225398-7 BNC DUAL CRIMP JACJ</p>	 <p>TE Part # 2-331350-4 BNC PLUG, PTFE</p>
 <p>TE Part # 225790-5 ARINC COAXICON PIN SIZE 5</p>	 <p>TE Part # 225791-1 KIT,ARINC SOCKET,SIZE 5</p>	 <p>TE Part # 228979-7 JACK,COML,SERIES BNC,GOLD PL</p>	 <p>TE Part # 2-331351-4 BNC JACK, PTFE</p>



Documents

Datasheets & Catalog Pages

Bottoming Dies

English

Instruction Sheets

Instruction Sheet (U.S.)

English